



ESH60SS / ESH60WH
BUILT-IN ELECTRIC HOB

Instruction Manual

SAFETY WARNINGS

Your safety is important to us. Please read this information before using your electric hob.

Installation

Electrical Shock Hazard

- Disconnect the appliance from the mains electricity supply before carrying out any work or maintenance.
- Connection to a good earth wiring system is essential and mandatory.
- Alterations to the domestic wiring system must only be made by a qualified electrician.
- Failure to follow this advice may result in electrical shock or death

Cut Hazard

- Take care – panel edges are sharp.
- Failure to use caution could result in injury or cuts.

Important Safety Instructions

- Read these instructions carefully before installing or using this appliance.
- No combustible material or products should be placed on this appliance at any time.
- Please make this information available to the person responsible for installing the appliance as it could reduce your installation costs.
- In order to avoid a hazard, this appliance must be installed according to these instructions for installation.
- This appliance is to be properly installed and earthed only by a suitably qualified person.
- This appliance should be connected to a circuit which incorporates an isolating switch providing full disconnection from the mains power supply.
- Failure to install the appliance correctly could invalidate any warranty or liability claims.

Operation and Maintenance

Electrical Shock Hazard

- Do not cook on a broken or cracked electric hob. If the hob surface should break or crack, switch the appliance off immediately at the mains power supply (wall switch) and contact a qualified technician.
- Switch the electric hob off at the wall before cleaning or maintenance.
- Failure to follow this advice may result in electrical shock or death.

Health Hazard

- This appliance complies with electromagnetic safety standards.
- Failure to follow this advice may result in death.

Hot Surface Hazard

- During use, accessible parts of this appliance will become hot enough to cause burns
- Do not let your body, clothing or any item other than suitable cookware contact the electric hob surface until it is cool.
- Never leave metal objects (such as kitchen utensils) or empty pans on the hob as they can become hot very quickly.
- Keep children away.
- Handles of saucepans may be hot to touch. Check saucepan handles do not overhang other cooking zones that are on. Keep handles out of reach of children.
- Failure to follow this advice could result in burns and scalds.

Cut Hazard

- The razor-sharp blade of an electric hob scraper is exposed when the safety cover is retracted. Use with extreme care and always store safely and out of reach of children.
- Failure to use caution could result in injury or cuts.

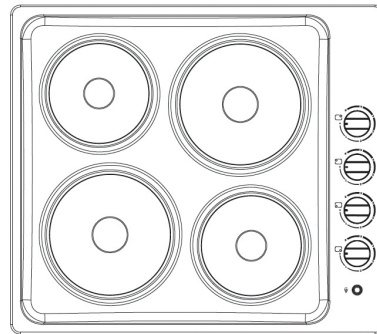
Important Safety Instructions

- Never leave the appliance unattended when in use. Boil over causes smoking and greasy spill overs that may ignite.
- Never use your appliance as a work or storage surface.
- Never use your appliance for warming or heating the room.
- After use, always turn off the cooking zones and the electric hob as described in this manual.
- Do not allow children to play with the appliance or sit, stand or climb on it.
- Do not store items of interest to children in cabinets above the appliance. Children climbing on the electric hob could be seriously injured.
- Do not leave children alone or unattended in the area where the appliance is in use.
- Do not repair or replace any part of the appliance unless specifically recommended in the manual. All other servicing should be done by a qualified technician.
- Do not use a steam cleaner to clean your electric hob.
- Do not place or drop heavy objects on your electric hob
- Do not stand on your electric hob.
- Do not use pans with jagged edges or drag pans across the ceramic electric hob as this can scratch the surface.
- Do not use scourers or any other harsh abrasive cleaning agents to clean your electric hob as these can scratch the surface.
- If the mains cable is damaged, it must be replaced by a qualified technician.
- Do not operate your electric hob by means of an external timer or separate remote control system.
- **Warning:** If the surface is cracked, switch off the appliance to avoid the possibility of electric shock.
- Do not leave any objects such as knives, forks, spoons and lids should not be placed on the hob surface since they can get hot.
- This appliance is not intended for use by persons (including children) with reduced physical, sensory or mental capabilities, or lack of experience and knowledge, unless they have been given supervision or instructions concerning the use of the appliance by a person responsible for their safety.

Thank you for purchasing our product. We hope you enjoy using the many features and benefits it provides. Before using this product please study this entire Instruction Manual carefully. Keep this manual in a safe place for future reference. Ensure that other people using the product are familiar with these instructions as well.

UNPACKING

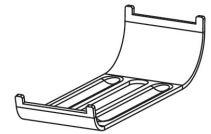
Remove all packaging from the unit. Retain the packaging. If you dispose of it please do so according to local regulations. The following items are included:



Main Unit

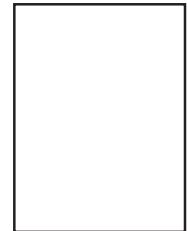


Screws x 4



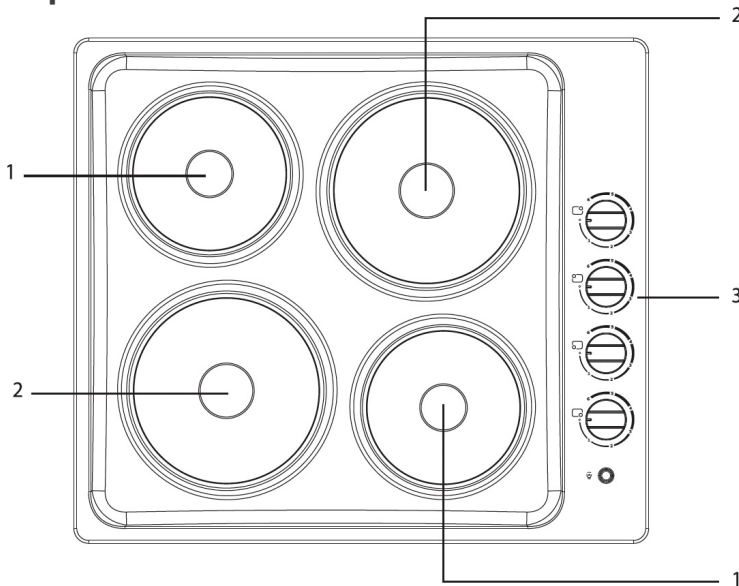
Brackets x 4

Instruction & Installation Manual



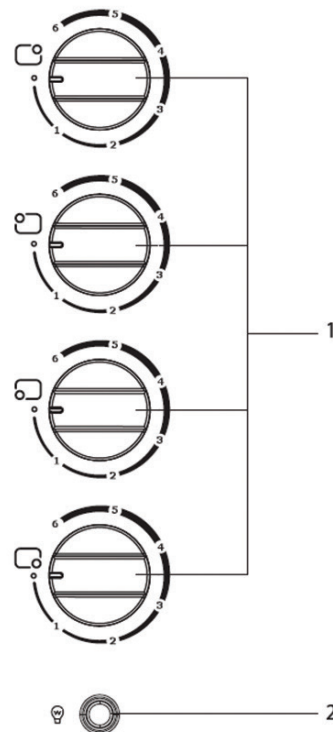
PRODUCT OVERVIEW

Top View



- 1. Max. 1000W zone
- 2. max. 1500W zone
- 3. Control Panel

Control Panel



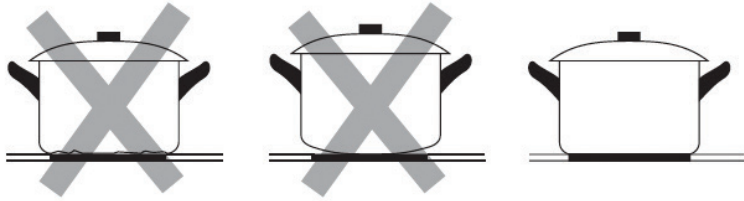
- 1. Power Regulating Controls
- 2. Power Indicator Light

BEFORE USING YOUR NEW ELECTRIC HOB

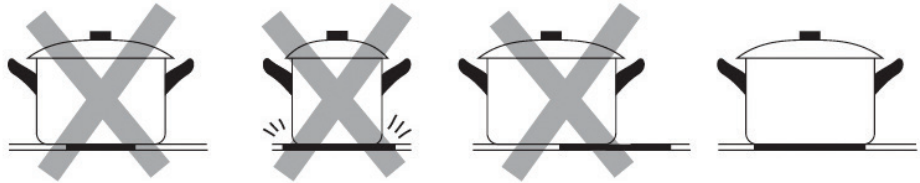
Read this guide, taking special note of the “Safety Warnings” section.
Remove any protective film that may still be on your electric hob.

CHOOSING THE RIGHT COOKWARE

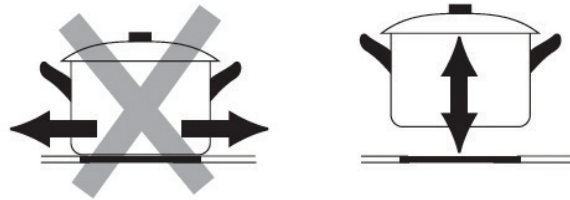
Do not use cookware with jagged edges or a curved base.



Make sure that the base of your pan is smooth, sits flat against the surface and is the same size as the cooking zone.



Always lift pans off the electric hob – do not slide, or they may scratch the surface.

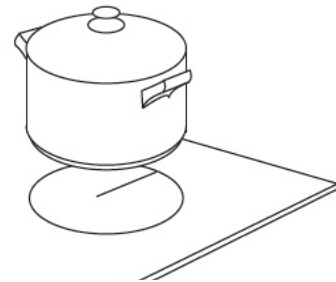


USING YOUR ELECTRIC HOB

To Start Cooking

1. Place a suitable pan on the cooking zone you wish to use.

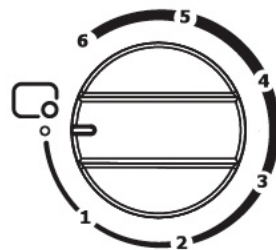
Make sure the bottom of the pan and the surface of the cooking zone are clean and dry.



2. Adjust the power regulating control to the desired level to turn on the control.

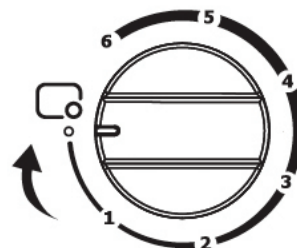
Setting 1 – Lower heat setting

Setting 6 – Higher heat setting



When You Have Finished Cooking

Turn the cooking zone off by turning the power regulating control to “O” position.



CLEANING AND MAINTENANCE

The settings below are guidelines only. The exact setting will depend on several factors, including your cookware and the amount you are cooking.

Experiment with the electric hob to find the settings that best suit you.

What?	How?	Important!
Everyday soiling on surface (fingerprints, marks, stains left by food or non-sugary spillovers on the surface)	<ol style="list-style-type: none"> 1. Switch the power to the electric hob off. 2. Apply an electric hob cleaner while the hob is still warm (but not hot!) 3. Rinse and wipe dry with a clean cloth or paper towel. 	<ul style="list-style-type: none"> • When the power to the electric hob is switched off, there will be no 'hot surface' indication but the cooking zone may still be hot! Take extreme care. • Heavy-duty scourers, some nylon scourers and harsh/abrasive cleaning agents may scratch the surface. Always read the label to check if your cleaner or scourer is suitable. • Never leave cleaning residue on the electric hob: the surface may become stained.
Spillovers on the power regulating controls	<ol style="list-style-type: none"> 1. Switch the power to the electric hob off. 2. Soak up the spill. 3. Wipe the power regulating control area with a clean damp sponge or cloth. 4. Wipe the area completely dry with a paper towel. 	<ul style="list-style-type: none"> • Make sure you wipe the power regulating control area dry before turning the electric hob back on.

HINTS AND TIPS

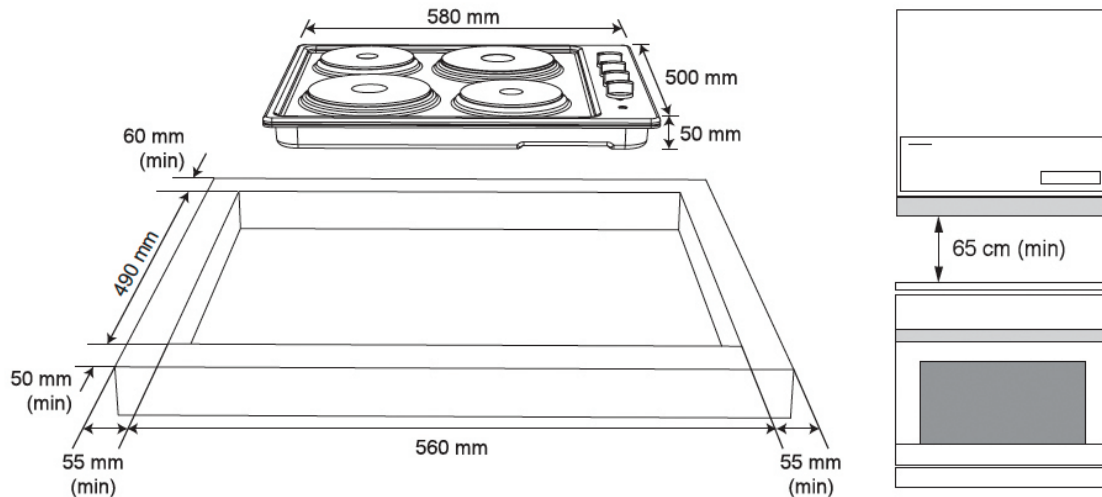
Problem	Possible Causes	What To Do
The electric hob cannot be turned on.	No power.	Make sure the electric hob is connected to the power supply and that it is switched on. Check whether there is a power outage in your home or area. If you've checked everything and the problem persists, call a qualified technician.
The surface is being scratched.	<p>Rough-edged cookware.</p> <p>Unsuitable abrasive scourer or cleaning products being used.</p>	<p>Use cookware with flat and smooth bases. See 'Choosing the Right Cookware',</p> <p>See 'Care and Cleaning'.</p>

The above are the judgement and inspection of common failures. Please do not disassemble the unit by yourself to avoid any dangers and damages to the hob.

INSTALLATION

Preparing the Worktop

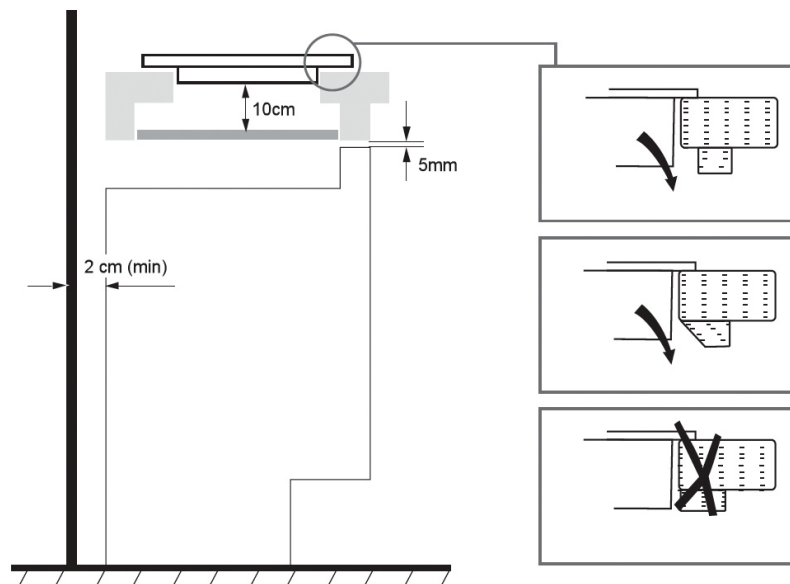
Cut out the work surface following the dimensions shown in the drawing below. For the purpose of installation and use, a minimum distance of 5.5cm space must be left around the cut out. Ensure the thickness of the work surface is at least 20mm. Use a heat resistant work surface material to avoid deformation caused by heat from the hob. Minimum distance between hob and cupboard should be at least 65mm.



Ensuring Adequate Ventilation

Make sure the ceramic cooker hob is well ventilated and that air inlet and outlet are not blocked. This hob requires an adequate supply of fresh, cool air to fully function. The base of the hob must have direct unrestricted ventilation to the room where the hob is installed.

Follow the requirements below.

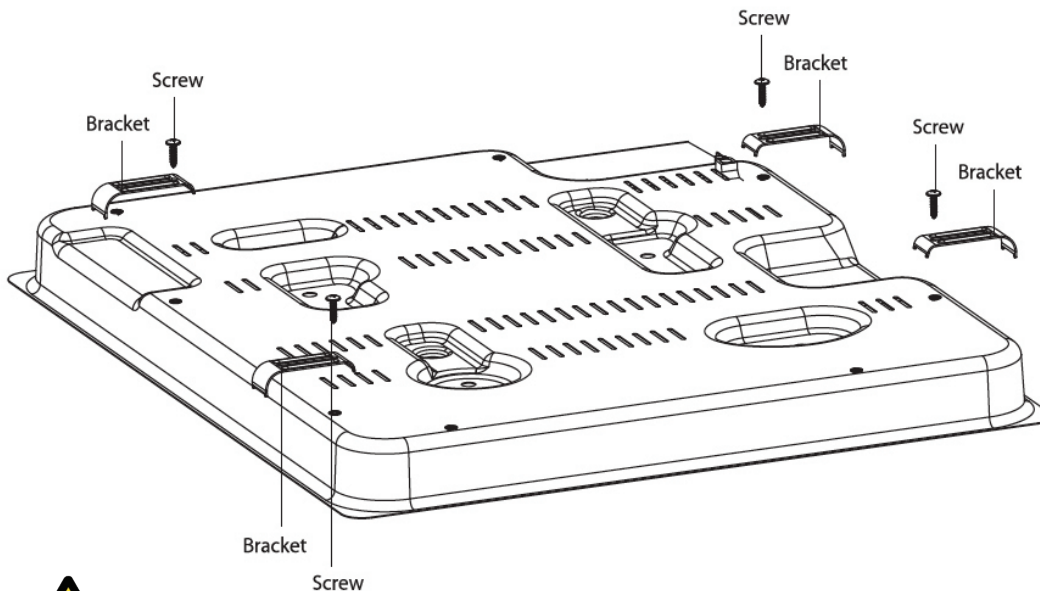


There are ventilation holes around outside of the hob. **YOU MUST** ensure these holes are not blocked by the worktop when you put the hob into position.

Fastening the Fixing Brackets

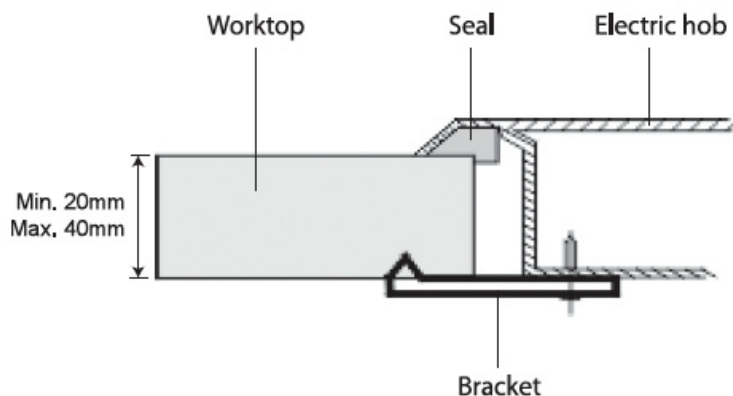
The unit should be placed on a stable, smooth surface (use the packaging).

1. Turn the hob upside down and fasten the brackets to the appropriate holes.
DO NOT tighten the screws at this stage.
2. Apply sealing strips around the edge of hob.



- The hob must be installed by qualified personnel or technicians.
 - Do not mount above cooling equipment, dishwashers and rotary dryers.
 - Surfaces around the hob should be able to withstand heat generated by hob.
 - Never use a steam cleaner to clean the hob.
 - Do not use a silicon sealant to seal the appliance against the aperture. This will make it difficult to remove hob from the aperture, particularly if servicing is required.
-

3. Insert the hob into the cut out and position it correctly.
4. Tighten the screws to secure the hob to the worktop.



Do not over-tighten the hob clamps as distortion of the hob may occur.

ELECTRICAL CONNECTION

Fitting Guidelines

The electric hob is manufactured to work with single-phase alternating current (220V-240V/50Hz). The connection diagram is also on the cover of the connection box.

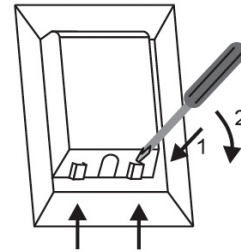


All electrical work should be carried out by a suitably qualified and authorised electrician. No alterations or wilful changes in the electricity supply should be carried out.

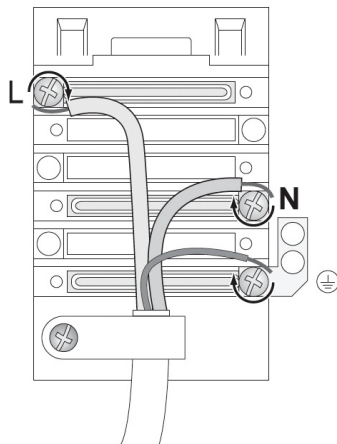
The connection cable must be secured in the strain-relief clamp.



The electricity supply for the electric hob must have an isolation switch which enables the power to be cut off in case of an emergency and for maintenance. The distance between the working contacts of the isolation switch must be at least 3mm. Before connecting the electric hob to the mains power supply it is important to read the information on the data plate and the connection diagram.



Connecting the Hob to the Mains Power Supply



- Voltage of heating elements 220V – 240V.
- $3 \times 6\text{mm}^2 / 3 \times 2.5\text{mm}^2$
- This appliance must be earthed.
- For this connection a power lead of wire type H05VV-F should be used.

Wiring Instructions

The earth wire coloured Green/Yellow must be connected to the Earth terminal marked \oplus . The Live wire coloured Brown must be connected to the Live terminal marked **L**. The neutral wire coloured Blue must be connected to the terminal marked **N**.



Always place the wire on the side of the screw which follows the tightening direction (clockwise).

SPECIFICATIONS

Model	60PKE10S01
Power (W)	5000W (max)
Voltage (V)	220-240V
Frequency (Hz)	50

Features and specifications are subject to change without prior notice.



This symbol on the product or in the instructions means that your electrical equipment should be disposed of at the end of its life separately from your household waste.

There are separate collection systems for recycling in the EU.

For more information, please contact your local authority or your retailer where you purchased the product.

SERVICE AND SPARE PARTS

Should you experience any difficulty in using your Statesman appliance at any time, you may contact your Statesman Retailer or call our Customer Service Department on:

0844 848 5861

Please have the following details ready;

- Model Name / Model Number
- Serial Number
- Date of Purchase
- Where Purchased
- Customer Name and Address including Post Code
- Contact Telephone Number
- Accurate description of the fault

Spare Parts information
can be obtained by
calling our Spare Parts
Department on:

0844 848 5862

Disclaimer: Updates to hardware components are made regularly. Therefore some of the instructions, specifications and pictures in this documentation may differ slightly from your particular situation. All items described in this guide are for illustration purposes only and may not apply to your particular situation. No legal right or entitlements may be obtained from the description made in this manual.