

# **sabichi.** 2-Slice Toaster

CODE:143822



**sabichi homewares ltd**

UB6 7JD

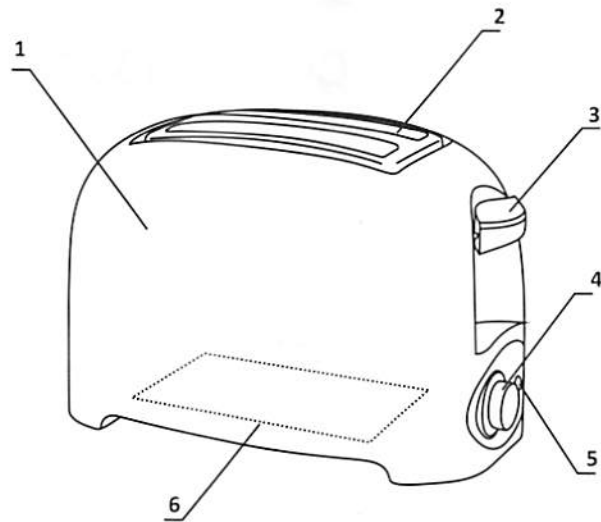
[www.sabichi.co.uk](http://www.sabichi.co.uk)

Tel: +44 (0)208 799 7474

Email: [sales@sabichi.co.uk](mailto:sales@sabichi.co.uk)

## **INSTRUCTIONS**

## Component



1. Housing

2. Toasting Slot

3. Carriage Control Lever

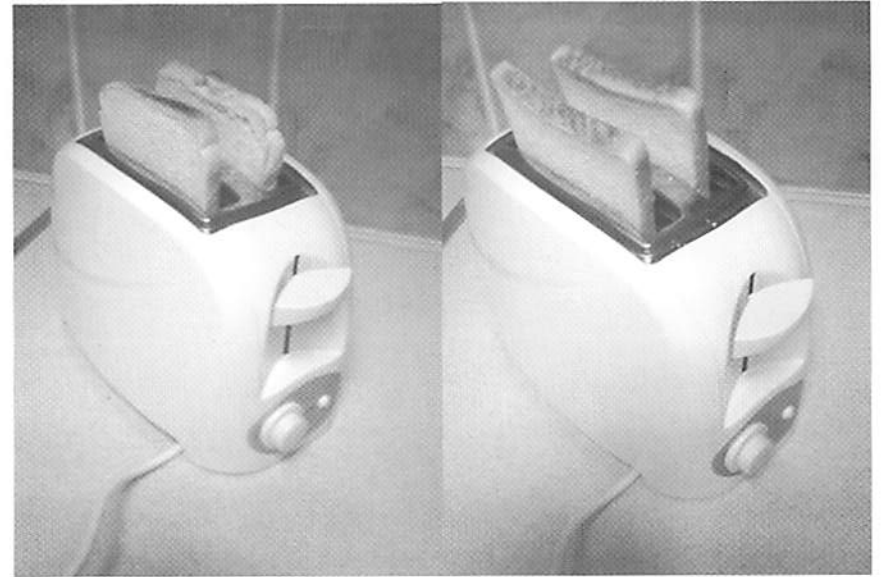
4. Variable Browning Control

5. STOP Button

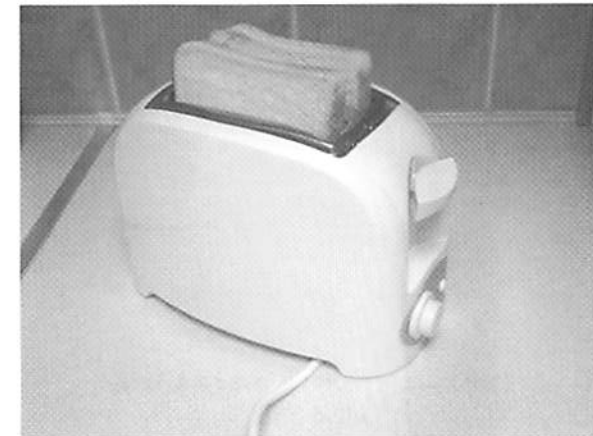
6. Crumb Tray

## Toasting Tips

For even toasting you can toast the bread the right way up and upside down to achieve the toasting coverage you desire.



Alternatively you can toast your bread sideways but take care to always watch your bread toasting to ensure the edges don't get caught inside.



Enjoy your toast.

been damaged by inexpert repair.

- Specifications are subject to change without prior notice
- The manufacturer disclaims any liability for incidental or consequential damages
- The guarantee is in addition to, and does not affect your statutory or legal rights

### **IMPORTANT SAFEGUARDS**

When using electrical appliances, basic safety precautions should always be followed including the following.

1. Do not touch hot surfaces. Use Handles or knobs.
2. To protect against electrical shock. Do not immerse cord plug or appliance in water or other liquid. Do not put hand in side of product when working
3. Close supervision is necessary when appliance is used near children.
4. Unplug from outlet when not in use and before cleaning. The use of accessory attachments is not recommended by the appliance manufacturer as it may cause injuries.
5. Do not operate any appliance with a damaged cord or plug or after the appliance malfunctions or has been damaged in any manner. Repair must only be conducted by a qualified engineer.
6. Do not use outdoors. This appliance is for household use only.
7. Do not let cord hang over edge of table or counter, or touch hot surfaces.
8. Do not place on or near gas or electric burner, or in a heated oven.
9. Toasting Lever must be in the "Up" position before attaching or disconnecting the plug from wall outlet.
10. Oversize foods, metal foil packages, or utensils must not be inserted in a toaster as they may involve a risk of fire or electric shock.
11. A fire may occur if toaster is covered or touching flammable material, including curtains, draperies when in operation.
12. Do not attempt to dislodge food when toaster is plugged in.
13. The bread may burn therefore do not use the toaster near or

below combustible material, such as curtains.

14. The temperature of accessible surfaces may be high when the appliance is operating.
15. If the supply cord is damaged, it must be replaced by the manufacturer or its service agent or a similarly qualified person in order to avoid a hazard.
16. This appliance is not intended for use by children or other persons without assistance or supervision if their physical, sensory or mental capabilities prevent them from using it safely. Children should be supervised to ensure that they do not play with the appliance.

### **SAVE THESE INSTRUCTIONS**

## **INSTRUCTIONS**

### **BEFORE USE**

Check that the voltage of the appliance corresponds to the mains voltage and plug in. This appliance is fitted with an earth wire for extra safety.

### **SELECTING THE BROWNING LEVEL**

Select the setting of your choice from the possible browning levels. The degree of browning increases in relation to the numbers on the selection dial.

### **HOW TO USE YOUR TOASTER**

Place the bread in the toaster and push the lever down until it automatically locks into place.

### **TO STOP THE TOASTER**

The toaster is automatically released when the previously selected browning levels. If you want to interrupt the toasting process at any time, just push the "STOP" button and the lever button will return to its original position.

## **CLEANING YOUR TOASTER**

To clean your toaster, first remove the plug from the mains outlet, then open crumb tray at bottom of toaster. Clean the toaster with a soft, dry cloth and wipe dry afterwards, never use water.

### **NOTICE**

The appliances are not intended to be operated by means of an external timer or separate remote-control system.

## **Technical Details**

220-240V~ 50Hz  
Power 750W



## **Waste Disposal**

- According to waste of Electrical and Electronic Equipment(WEEE) directive, WEEE should be separately collected and treated.
- If at any time in future you need to dispose of this product, please to NOT do so with household waste.
- Please send this product to WEEE collecting points where available.

## **After Sales Service**

- This product is guaranteed for twelve months from the date of purchase, Proof of purchase will be required.
- The guarantee is subject to the following provisions:
- The guarantee does not cover accidental damage, misuse, unit parts, knobs or consumable items.
- The product must be correctly installed and operated in accordance with the instructions contained in this manual.
- It must be used solely for domestic purposes.
- The guarantee will be rendered invalid the product is re-sold or has